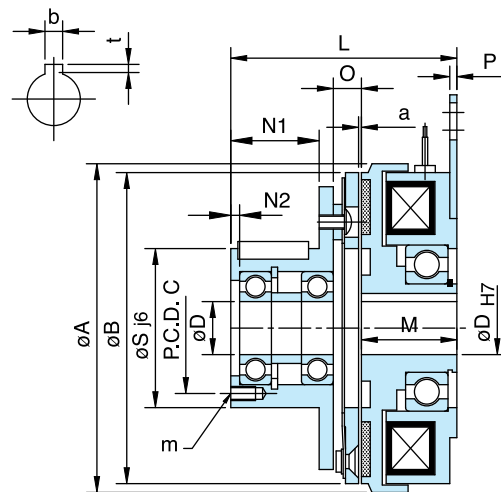
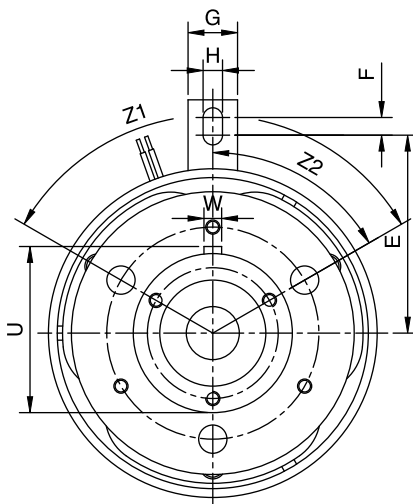
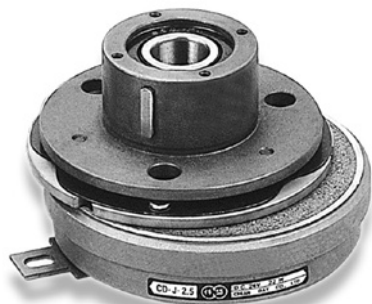


# CJ2 Series

## 乾式單板標準超薄型電磁離合器 Dry Single-plate Magnetic Clutch

附軸承導座 with bearing plating hub



型號 MODEL		CJ20S6AA	CJ21S5AA	CJ22S5AA	CJ2005AA	CJ2010AA	CJ2020AA	
靜摩擦轉距 [kgm](N-m) Static Friction Torque		0.55 (5.5)	1.1 (11)	2.2 (22)	4.5 (45)	9.0 (90)	17.5 (175)	
動摩擦轉距 [kgm](N-m) Dynamic Friction Torque		0.5 (5.0)	1.0 (10)	2.0 (20)	4.0 (40)	8.0 (80)	16 (160)	
功率 Power [24V](W) at 20°C		11	15	20	25	35	45	
徑 方 向 Radius	A	74	93	116	144	178	225	
	B	70	88	110	137	172	217	
	C	33	37	47	52	62	74.5	
	D	12	15	20	25	30	40	
	E	43	56	61.45	77.15	99	117	
	F	5	5	4.5	4.9	10	10	
	S	38	45	55	64	75	90	
	U	39.5	47	57	67	78	93.5	
軸 方 向 Shaft	G	12	14	16	16	25	25	
	H	4.5	5.5	6.5	6.5	8.5	8.5	
	L	53.8	63.75	74.1	89.6	112.8	134.2	
	M	25	26.5	30.1	34	43	50	
	N1	20	25	30	40	50	60	
	N2	2	2.5	3	2	3	5	
	O	6.3	7.75	9	11.9	12.8	16.2	
	P	1.6	2	2	2	3	3	
	W	4	5	7	10			
	Z1	3-120°		4-90°		6-60°		4-90°
	Z2	60°		45°		30°		45°
	a	0.2 (±0.05)			0.3 (+0.05/-0.1)		0.5 (-0/-0.2)	
	b	4	5	7	10			
	t	1.8	2.3	3.3	3.8			
	m	3-M4*0.7P*4L	3-M4*0.7P*6L	4-M4*0.7P*8L		6-M5*0.8P*8L	4-M6*1P*12L	
重量 Weight (kg)		0.8	1.3	2.4	4.2	8.6	15.2	
保護素子 Protective band		470KD07	GD80KD10		GD80KD14			