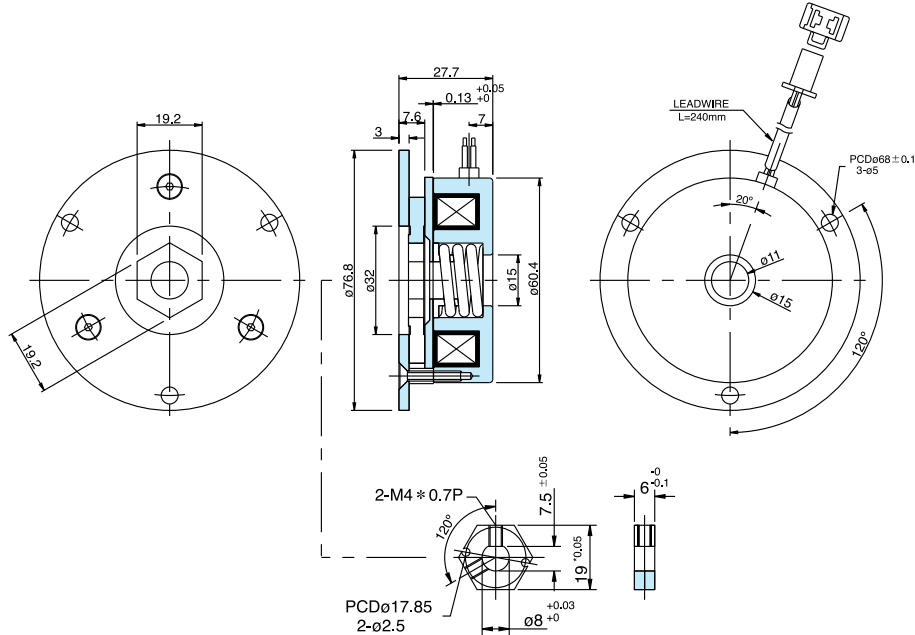


ALSOS4AA

安全煞車器 Safety Brake

產品規格表 SPECIFICATIONS:

| 型號 Model | 電壓D.C. Voltage | 阻抗D.C. Resistance | 功率 Power | 絕緣等級 Insulation Classification | 動摩擦轉距 Dynamic Friction Torque kgm(Nm) | 靜摩擦轉距 Static Friction Torque kgm(Nm) | 絕緣阻抗 Insulation Resistance | 絕緣耐壓 Insulation Pressure Durability | 作動電壓 Dynamic Voltage | 間隙 (mm) Gap | 重量 (kg) Weight |
|-------------|-------------------|----------------------|-------------|--------------------------------------|---|--|----------------------------------|---|----------------------------|----------------|-------------------|
| ALSOS4AA | 24V | 46Ω | 12W | F | 0.4(4.0) | 0.45(4.5) | 500VDC/50MΩ以上 | 1500V/1MA/1SEC | 16V | 0.13-0.18 | 0.42 |



ALYOS2AA

安全煞車器-釋放手柄 Safety Brake-Handle Release

產品規格表 SPECIFICATIONS:

| 型號 Model | 電壓D.C. Voltage | 阻抗D.C. Resistance | 功率 P | 絕緣等級 Insulation Classification | 動摩擦轉距 Dynamic Friction Torque kgm(Nm) | 靜摩擦轉距 Static Friction Torque kgm(Nm) | 絕緣阻抗 Insulation Resistance | 絕緣耐壓 Insulation Pressure Durability | 作動電壓 Dynamic Voltage | 間隙 (mm) Gap | 重量 (kg) Weight |
|-------------|-------------------|----------------------|---------|--------------------------------------|---|--|----------------------------------|---|----------------------------|----------------|-------------------|
| ALYOS2AA | 24V | 65Ω | 9W | F | 0.17(1.7) | 0.2(2.0) | 500VDC/50MΩ以上 | 1500V/1MA/1SEC | 16V | 0.1-0.15 | 0.5 |

