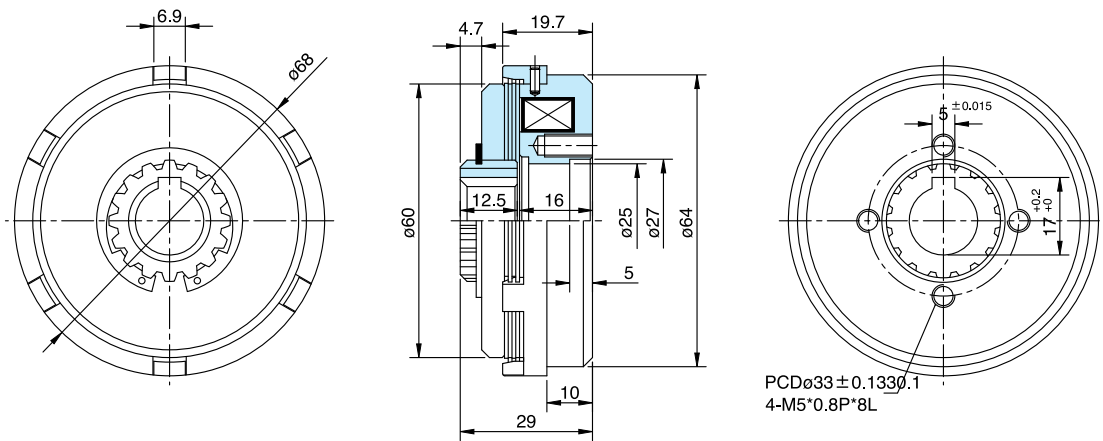


# MBO Series

## 濕式多板煞車器 Wet Multi-plate Brake

產品規格表 SPECIFICATIONS:

型號 Model	電壓 (DC-V) Voltage	功率 Power at 20°C	動摩擦轉距 Dynamic Friction Torque kgm(Nm)	靜摩擦轉距 Static Friction Torque kgm(Nm)	重量 (kg) Weight
MBO0S5AA	12V	7.2W	0.5(5.0)	1.0(10)	0.4



# MCO Series

## 濕式多板離合器 Wet Multi-plate Clutch

產品規格表 SPECIFICATIONS:

型號 Model	電壓 (DC-V) Voltage	功率 Power at 20°C	動摩擦轉距 Dynamic Friction Torque kgm(Nm)	靜摩擦轉距 Static Friction Torque kgm(Nm)	重量 (kg) Weight
MCO0S5AA	12V	7.8W	0.5(5.0)	1.0(10)	0.4

