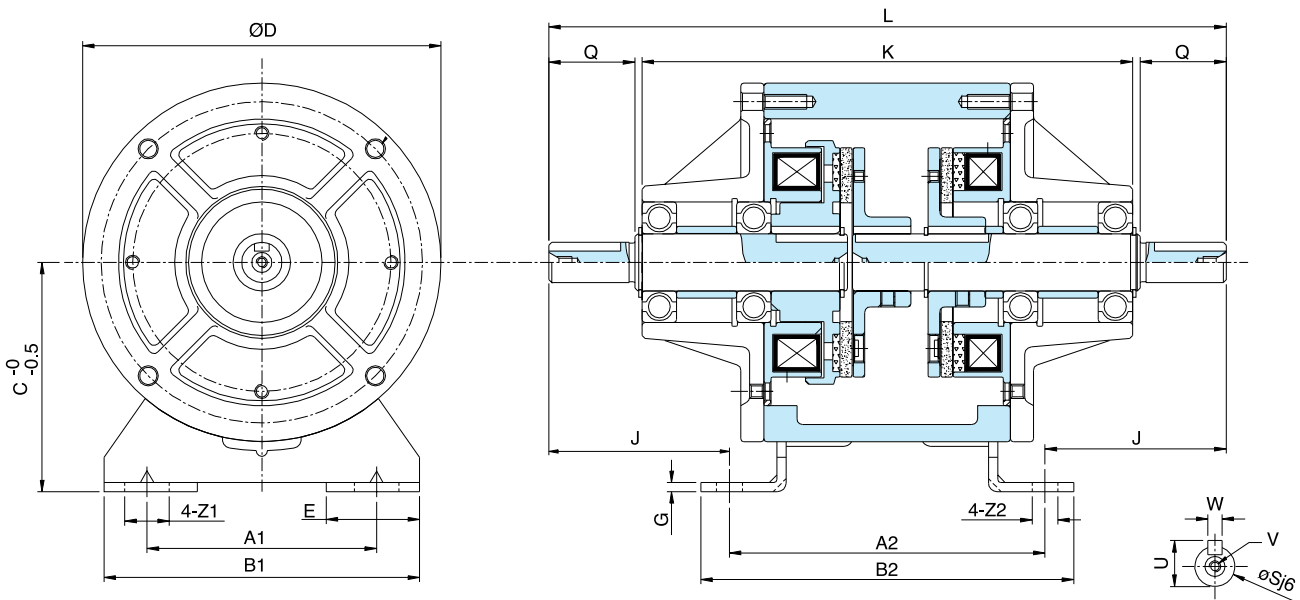


CDA Series

內藏式電磁離合、煞車器組 Internal Magnetic Clutch and Brake Combination



型號 MODEL		CDA0S6AA	CDA1S5AA	CDA2S5AA	CDA005AA	CDA010AA	CDA020AA	
靜摩擦轉距 Static Friction Torque [kgm](Nm)		0.55 (5.5)	1.1 (11)	2.2 (22)	4.5 (45)	9 (90)	17.5 (175)	
功率 Power [24V](W) at 20°C		11	15	20	25	35	45	
懸垂荷重 Suspended load (kgf)		32	48	70	90	130	180	
徑 方 向 Radius	A1	65	80	105	135	155	195	
	B1	90	110	140	175	200	240	
	C	65	80	90	112	132	160	
	D	100	125	150	190	230	290	
	E	27.5	32.5	35	42	45	47	
	S	11	14	19	24	28	38	
	U	12.5	16	21	27	31	41.5	
	W	4	5		7		10	
	Z1	13.5	15.5	20	24	28	28	
軸 方 向 Shaft	A2	90	110	135	160	200	240	
	B2	105	130	160	185	230	270	
	G	2.6	3.2	3.2	4.5	6	20	
	J	47.5	63.2	80.1	107.95	145.1	188	
	K	132	171	210	270	362	448	
	L	187	236.2	295.3	375.8	490.3	616.2	
	Q	25	30	40	50	60	80	
	V	M4*0.7P*8L			M6*1P*11L			M10*1.5P*17L
	Z2	6.5	9	11		14		
重量 Weight (kg)		2.1	4.2	6.8	12	22	49	
保護素子 Protective band		470KD07	G80KD10		G80KD14			