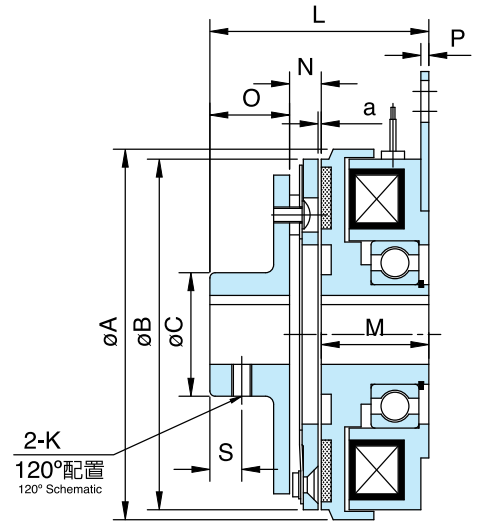
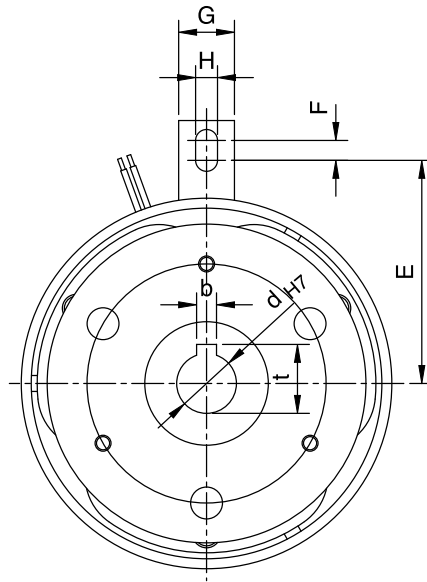


# CJ1 Series

## 乾式單板標準超薄型電磁離合器 Dry Single-plate Magnetic Clutch

附導座 with plating hub



| 型號 MODEL                                   |   | CJ10S6AA           | CJ11S5AA | CJ12S5AA | CJ1005AA                  | CJ1010AA | CJ1020AA              |
|--|---|--------------------|----------|----------|---------------------------|----------|-----------------------|
| 靜摩擦轉距<br>Static Friction Torque [kgm](Nm)  |   | 0.55 (5.5)         | 1.1 (11) | 2.2 (22) | 4.5 (45)                  | 9.0 (90) | 17.5 (175)            |
| 動摩擦轉距<br>Dynamic Friction Torque [kgm](Nm) |   | 0.5 (5.0)          | 1.0 (10) | 2.0 (20) | 4.0 (40)                  | 8.0 (80) | 16 (160)              |
| 功率 Power [24V](W) at 20°C                  |   | 11                 | 15       | 20       | 25                        | 35       | 45                    |
| 徑<br>方<br>向<br>Radius                      | A | 74                 | 93       | 116      | 144                       | 178      | 225                   |
|  | B | 70                 | 88       | 110      | 137                       | 172      | 217                   |
|  | C | 26                 | 31       | 41       | 49                        | 65       | 83                    |
|  | E | 43                 | 56       | 61.45    | 77.15                     | 99       | 117                   |
|  | F | 5                  | 5        | 4.3      | 4.9                       | 10       | 10                    |
|  | G | 12                 | 14       | 16       | 16                        | 25       | 25                    |
| 軸<br>方<br>向<br>Shaft                       | H | 4.5                | 5.5      | 6.5      | 6.5                       | 8.5      | 8.5                   |
|  | K | M4                 | M5       | M6       | M6                        | M8       | M8                    |
|  | L | 45.3               | 54.75    | 64.1     | 73.6                      | 93.8     | 111.2                 |
|  | M | 25                 | 26.5     | 30.1     | 34                        | 43       | 50                    |
|  | N | 6.3                | 7.75     | 9        | 10.9                      | 12.8     | 16.2                  |
|  | O | 15                 | 20       | 25       | 30                        | 38       | 45                    |
|  | P | 1.6                | 2        | 2        | 2                         | 3        | 3                     |
|  | S | 6                  | 8        | 10       | 12                        | 14       | 18                    |
|  | d | 12                 | 15       | 20       | 25                        | 30       | 40                    |
|  | b | 4                  | 5        |          | 7                         |          | 10                    |
|  | t | 13.8               | 17.3     | 22.3     | 28.3                      | 33.3     | 43.8                  |
|  | a | 0.2 ( $\pm 0.05$ ) |          |          | 0.3 ( $^{+0.05}_{-0.1}$ ) |          | 0.5 ( $^{0}_{-0.2}$ ) |
| 重量 Weight (kg)                             |   | 0.6                | 1.1      | 1.9      | 3.4                       | 7.2      | 13                    |
| 保護素子 Protective band                       |   | 470KD07            | GD80KD10 |          | GD80KD14                  |          |                       |