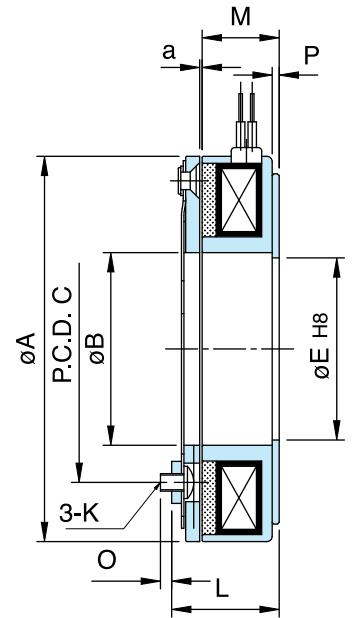
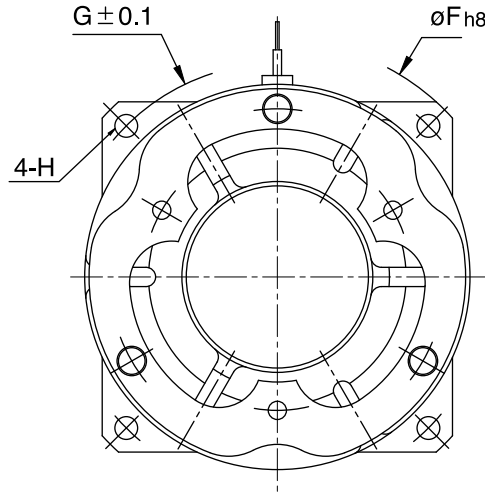


CDI Series

乾式單板超薄型電磁煞車器 Dry Single-plate Magnetic Brake



型號 MODEL	CDI0S6AA	CDI1S5AA	CDI2S5AA	CDI005AA	CDI010AA	CDI020AA	
靜摩擦轉距 [kgm](N-m) Static Friction Torque	0.55 (5.5)	1.1 (11)	2.2 (22)	4.5 (45)	9.0 (90)	17.5 (175)	
動摩擦轉距 [kgm](N-m) Dynamic Friction Torque	0.5 (5.0)	1.0 (10)	2.0 (20)	4.0 (40)	8.0 (80)	16 (160)	
功率 Power [24V](W) at 20°C	11	15	20	25	35	45	
徑方向 Radius	A	70	88	110	137	215	
	B	35	47	55	67	107	
	C	50	60	76	95	158	
	E	35	45	52	65	107	
	F	90	110	135	165	265	
	G	80	98	122	150	240	
	H	4.5	5.5	6.5	6.5	8.5	11
軸方向 Shaft	K	M3	M4	M5	M6	M10	
	L	25.2	27.75	29.9	36.7	47.4	
	M	19	20	21	26	31	
	O	5	6.15	8	11	17.5	
	P	2	2	2	2.5	3	3.2
	a	0.2 (±0.05)			0.3 (+0.05/-0.1)		0.5 (-0/-0.2)
重量 Weight (kg)	0.4	0.7	1.1	2.2	3.4	6.8	
保護素子 Protective band	470KD07	GD80KD10		GD80KD14			