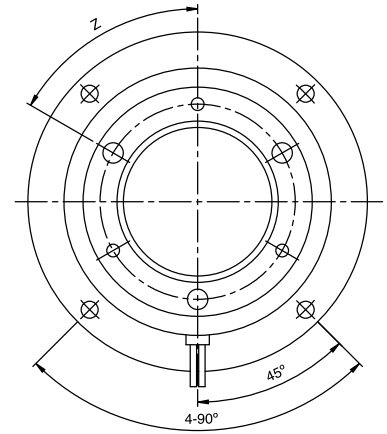
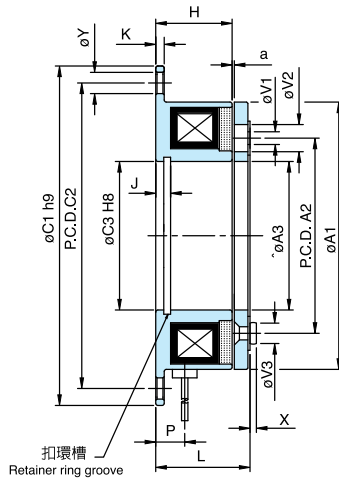


# CDG Series

## 乾式單板電磁煞車器 Dry Single-plate Magnetic Brake



型號 MODEL		CDG0S6AA	CDG1S5AA	CDG2S5AA	CDG005AA	CDG010AA	CDG020AA	CDG040AA
靜摩擦轉距 [kgm](Nm) Static Friction Torque		0.55 (5.5)	1.1 (11)	2.2 (22)	4.5 (45)	9 (90)	17.5 (175)	35 (350)
動摩擦轉距 [kgm](Nm) Dynamic Friction Torque		0.5 (5.0)	1.0 (10)	2.0 (20)	4.0 (40)	8 (80)	16 (160)	32 (320)
功率 Power [24V](W) at 20°C		11	15	20	25	35	45	60
徑 方 向 Radius	A1	63	80	100	125	160	200	250
	A2	46	60	76	95	120	158	210
	A3	34.5	41.8	52	62	80	99.5	125
	C1	80	100	125	150	190	230	290
	C2	72	90	112	137	175	215	270
	C3	35	42	52	62	80	100	125
	V1	3-3.1	3-4.1	3-5.1	3-6.1	3-8.1	3-10.2	4-12.2
	V2	3-6.3	3-8	3-12	3-13	3-15	3-17.3	4-23
	V3	3-6	3-6	3-7.5	3-9.8	3-13	3-18	4-20.8
軸 方 向 Shaft	Y	5	6	7	7	9.5	9.5	11.5
	H	18	20	22	24	26	30	35
	J	3.5	4.3	5	5.5	6	7	8
	K	2	2.5	3	3.5	4	5	6
	L	22.05	24.8	27.9	31.3	35.5	42.2	48.6
	P	7.5	9.5	8.9	9	9.5	10.5	15.5
	X	1.5	1.4	1.7	2	2.5	5.7	6.4
	Z	6-60°						
a	0.2 (±0.05)			0.3 (+0.05/-0.1)		0.5 (-0/-0.2)		
重量 Weight (kg)		0.28	0.5	0.91	1.68	3.15	5.9	10.5
保護素子 Protective band		470KD07	GD80KD10		GD80KD14			