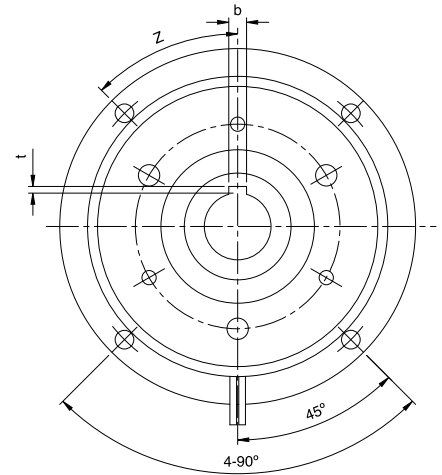
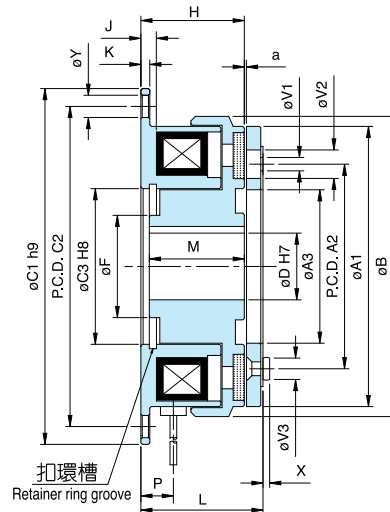


CDF Series

乾式單板電磁離合器-突圓固定型 Dry Single-plate Magnetic Clutch, Fixed-cylinder



| 型號 MODEL | CDF0S6AA | CDF1S5AA | CDF2S5AA | CDF005AA | CDF010AA | CDF020AA | CDF040AA | | | |
|---|-----------|--------------------|-----------|-----------|---------------------------|-----------|-----------|-----------------------|--|--|
| 靜摩擦轉距 Static Friction Torque [kgm](Nm) | 0.55(5.5) | 1.1(11) | 2.2(22) | 4.5(45) | 9(90) | 17.5(175) | 35(350) | | | |
| 動摩擦轉距 Dynamic Friction Torque [kgm](Nm) | 0.5(5.0) | 1.0(10) | 2.0(20) | 4(40) | 8(80) | 16(160) | 32(320) | | | |
| 功率 Power [24V](W) at 20°C | 11 | 15 | 20 | 25 | 35 | 45 | 60 | | | |
| 徑方向 Radius | A1 | 63 | 80 | 100 | 125 | 160 | 200 | 250 | | |
| | A2 | 46 | 60 | 76 | 95 | 120 | 158 | 210 | | |
| | A3 | 34.5 | 41.8 | 52 | 62 | 80 | 99.5 | 125 | | |
| | B | 67.5 | 85 | 106 | 133 | 169 | 212.5 | 264 | | |
| | C1 | 80 | 100 | 125 | 150 | 190 | 230 | 290 | | |
| | C2 | 72 | 90 | 112 | 137 | 175 | 215 | 270 | | |
| | C3 | 35 | 42 | 52 | 62 | 80 | 100 | 125 | | |
| | D | 12 15 | 15 20 | 20 25 | 25 30 | 30 40 | 40 50 | 50 60 | | |
| | F | 23 | 288 | 40 | 45 | 62 | 77 | 100 | | |
| | V1 | 3-3.1 | 3-4.1 | 3-5.1 | 3-6.1 | 3-8.1 | 3-10.2 | 4-12.2 | | |
| | V2 | 3-6.3 | 3-8 | 3-12 | 3-12.5 | 3-15 | 3-17.3 | 4-20.8 | | |
| | V3 | 3-6 | 3-6 | 3-7.5 | 3-9.8 | 3-13 | 3-18 | 4-23 | | |
| | Y | 5 | 6 | 7 | 7 | 9.5 | 9.5 | 11.5 | | |
| Z | 6-60° | | | | | | 8-45° | | | |
| 軸方向 Shaft | H | 24 | 26.5 | 30 | 33.5 | 37.5 | 44 | 51 | | |
| | J | 3.5 | 4.3 | 5 | 5.5 | 6 | 7 | 7.85 | | |
| | K | 2 | 2.5 | 3 | 3.5 | 4 | 5 | 6 | | |
| | L | 28.05 | 31.3 | 35.9 | 8 | 47 | 56.2 | 64.47 | | |
| | M | 22 | 24.1 | 27 | 30 | 33 | 40.15 | 47.15 | | |
| | P | 7.5 | 9.5 | 8.9 | 9.5 | 9.5 | 10.5 | 15.5 | | |
| | X | 1.5 | 1.4 | 1.7 | 2 | 2.5 | 5.7 | 6.4 | | |
| | a | 0.2 (± 0.05) | | | 0.3 ($^{+0.05}_{-0.1}$) | | | 0.5 ($^{0}_{-0.2}$) | | |
| | b | 4 5 | 5 5 | 5 7 | 7 7 | 7 10 | 10 12 | 12 15 | | |
| | t | 1.8 2.3 | 2.3 2.3 | 2.3 3.3 | 3.3 3.3 | 3.3 3.8 | 3.8 3.8 | 3.8 5.3 | | |
| 重量 Weight (kg) | 0.46 | 0.83 | 1.5 | 2.76 | 5.1 | 9.3 | 17 | | | |
| 保護素子 Protective band | 470KD07 | GD80KD10 | | GD80KD14 | | | | | | |