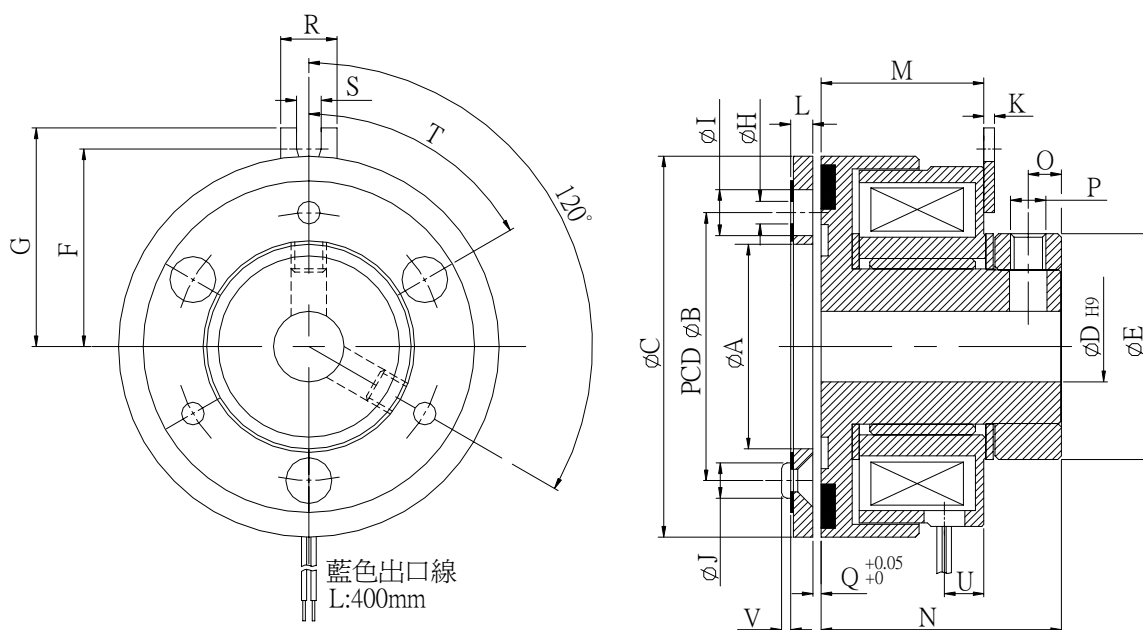


MCE

Series

微型電磁離合器 Micro Magnetic Clutch



型號 MODEL	MCES03AA	MCES06AA	MCES09AA	MCE0S2AA	MCE0S4AA	
靜摩擦轉距 (Nm)	0.3	0.6	0.9	1.8	3.6	
功率 [24V](W) at 20°C	3.9	6.2	6	8	10	
徑向尺寸	A	10	12.5	15.2	20	29
	B	17.6	19.5	23	30	38
	C	25	31	34	43	54
	D	5	6	6	8	10
	E	14	16	18	25	32
	F	12	18	20	23	28
	G	14.5	21	23	26	31
	H	2-2.1	2-2.1	3-2.6	3-3.1	3-3.1
	I	2-5	2-5	3-6	3-7	3-6.5
	J	2-3.7	2-3.7	3-5	3-5	3-5
軸向尺寸	K	1	1.5	1.5	1.5	1.5
	L	2.1	2.2	2.4	3.4	3.15
	M	15.7	17	18.5	21.7	23
	N	22	22.5	26	31	34
	O	2.75	3	2.5	3	4.7
	P	2-M3*P0.5	3-M3*P0.5	2-M3*P0.5	2-M4*P0.7	2-M5*P0.8
	Q	0.1	0.1	0.15	0.15	0.2
	R	8	8	8	8	8
	S	3.5	3.5	3.5	3.5	3.5
	T	90°	90°	60°	60°	60°
	U	4	4	4	5.5	5.5
	V	0.6	0.6	1.5	2	2